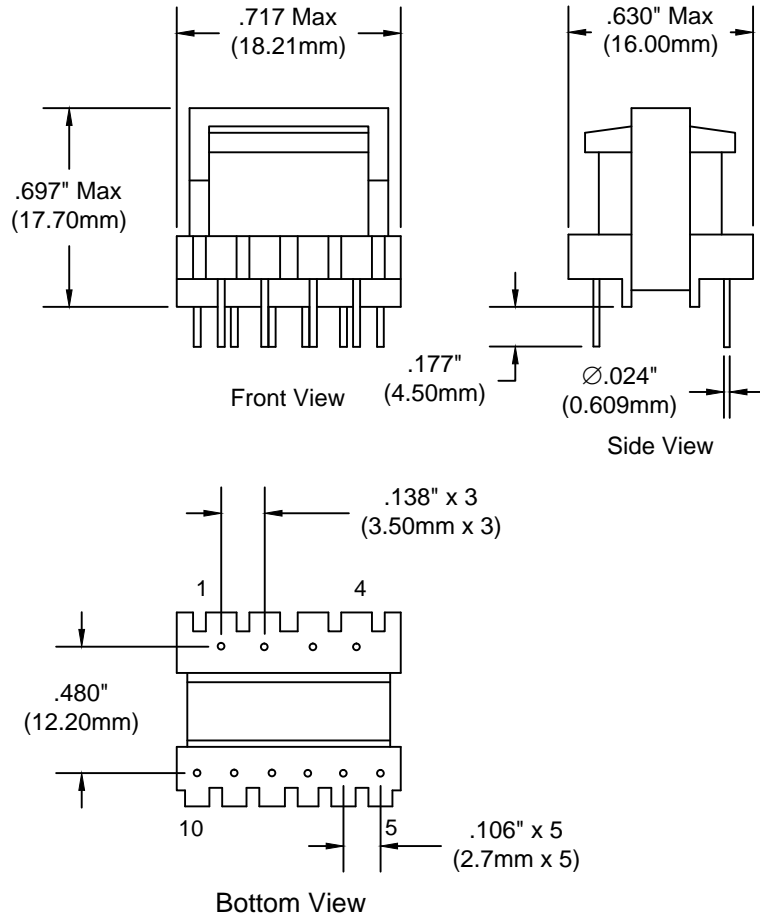


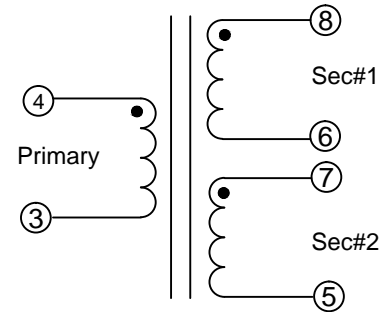
- SWITCHMODE THRU-HOLE TRANSFORMER DESIGNED FOR USE WITH POWER INTEGRATIONS TNY254 TINYSWITCH APPLICATION.
- PER EN60950, >5.0mm.
- 4.0W MAXIMUM.



REVISIONS			
DATE	REV	DESCRIPTION	APPV'D
11/23/2015	-1	Corrected length and pin diameter, were 18.2mm & .6mm	Tjk

Electrical Specifications:

Turns Ratio Pri : Sec#1 : Sec#2 = 1 : 0.055 : 0.055
 DC Resistance Pri: 5.28 - 7.92Ω
 DC Resistance Each Sec: 0.047 - 0.071Ω
 Lpri (3 - 4) : 4.30 mH ± 10% @ 10 KHz
 Leakage Inductance (3 - 4) : 200 μH Max @ 100 KHz Secondary windings shorted
 Dielectric Strength : 4000 Vrms Pri-Sec
 Bobbin Material : UL 94-V0
 Pri-Sec Creepage Distance Per EN60950 >5.0mm;
 Reinforced Insulation; 250Vrms working voltage



PREM MAGNETICS INCORPORATED		CUSTOM ENGINEERED MAGNETIC COMPONENTS Johnsburg, Illinois 3521 N.CHAPEL HILL RD. / McHENRY, ILLINOIS 60051	
SCALE : 1 : 2.25	APPROVED BY :	DRAWN BY : G.G.	
DATE : 10/02/02	<i>Gary Garcia</i>	REVISED :	
Ac to Dc Converter Transformer p/n SPP-3003			
Designed for Tny254 Chip up to 4.0W; Ac: 85 - 265Vac, 2 DC outputs from 3.3Vdc up to 5.5Vdc or 1 DC output from 6Vdc up to 12Vdc			DRAWING NUMBER A-3003-1